



AUSTRALIAN NATIONAL KENNEL COUNCIL LTD

Rules for the conduct of Tracking Trials

(Effective from 1st January, 2014)

**Approved by the
Australian National Kennel Council Ltd
23 September 1981**

Amended

1988
1993
1999
2002
2005
2008
2013

**Adopted by the Member Bodies of the
Australian National Kennel Council Ltd**

AUSTRALIAN CAPITAL TERRITORY

Dogs ACT
PO Box 815
DICKSON ACT 2602
Phone: (02) 6241 4404
Email: admin@dogsact.org.au

Fax: (02) 6241 1129

WESTERN AUSTRALIA

Canine Association of Western Australia Inc
PO Box 1404
CANNING VALE WA 6970
Phone: (08) 9455 1188
Email: k9@cawa.asn.au

Fax: (08) 9455 1190

QUEENSLAND

Canine Control Council (Queensland)
PO Box 495
FORTITUDE VALLEY QLD 4006
Phone: (07) 3252 2661
Email: dogsqld@powerup.com.au

Fax: (07) 3252 3864

NORTHERN TERRITORY

Dogs NT
PO Box 37521
WINNELLIE NT 0821
Phone: (08) 8984 3570
Email: naca3@bigpond.com

Fax: (08) 8984 3409

NEW SOUTH WALES

Dogs NSW
PO Box 632
ST MARYS NSW 1790
Phone: (02) 9834 3022
Email: info@dogsnsw.org.au

Fax: (02) 9834 3872

SOUTH AUSTRALIA

Dogs SA
PO Box 844
PROSPECT EAST SA 5082
Phone: (08) 8349 4797
Email: info@dogssa.com.au

Fax: (08) 8262 5751

TASMANIA

Tasmanian Canine Association Inc
PO Box 116
GLENORCHY TAS 7010
Phone: (03) 6272 9443
Email: tca@iprimus.com.au

Fax: (03) 6273 0844

VICTORIA

Dogs Victoria
Locked Bag K9
CRANBOURNE VIC 3977
Phone: (03) 9788 2500
Email: office@dogsvictoria.org.au

Fax: (03) 9788 2599

TABLE OF CONTENTS

Subject	Page No.
Introduction	4
Decisions	4
Removal of the Dog	4
Withdrawal of Dog	4
Disqualification	4
Eligibility	4
Titles	5
Equipment	5
Exhibits	6
Inspection	6
Judges	6
Tracklayer	6
General	7
Change of Direction	10
Grading	11
Notes for Affiliates	11
Tracking Dog (T.D.)	
Test 1 – Known Person	11
Test 2 – Known Person	11
Test 3 – Unknown Person	12
Tracking Dog Excellent (T.D.X.)	
Test 4 – Unknown Person	12
Test 5 – Unknown Person	12
Test 6 – Unknown Person	12
Tracking Champion (T.Ch.)	
Test 7 – Unknown Person	13
Test 8 – Unknown Person	13

RULES FOR THE CONDUCT OF TRACKING TRIALS

INTRODUCTION

The idea of Tracking Trials is to encourage dogs to make use of their strongest faculty by emulating as closely as possible, the seeking and finding of a missing person while acknowledging that in the interests of a fair assessment, the tracks cannot be aimless wanderings more likely to characterise the trail of a lost person nor include the possible machinations of one deliberately trying to deceive any following dog. In all other ways sight should never be lost that it is a person being followed and every aspect of the track must relate to a person and, in the case of articles, must be items of personal possession.

Where referred to in the Rules the words, Canine Control, shall mean the Controlling Body in each State or Territory of Australia. Interpretation of these Rules should not be necessary, however should there be a need for individuals to seek clarification; application must be made by the Canine Control to the appropriate Committee of the ANKC, whose decision shall be binding.

DECISIONS

Decisions of the Committee of the Affiliate conducting a trial shall be subject to appeal to the Canine Control in the State or Territory in which the trial is conducted.

The Rules of the Canine Control shall apply to all Tracking Trials and to any Affiliate conducting the Tracking Trials and, in the event of inconsistency; the rules of the Canine Control shall prevail.

Any one taking part in a trial who openly impugns the actions or decisions of the Judge shall render himself liable to be debarred from further participation in the trial and may be ordered from the grounds and further dealt with at the discretion of the Canine Control.

REMOVAL OF A DOG

The Judge must order the removal and disqualification from all Trial Competition on the day any dog that attacks, and must lodge a report with the Canine Control.

The Judge may order the removal from competition any dog which does not obey its Handler, any Handler who interferes wilfully with another competitor or a competitor's dog or whose behaviour is objectionable and must exclude from competition any dog which the Judge considers unfit to compete.

WITHDRAWAL OF DOG

A dog may be withdrawn before or during judging with the consent of the Judge and must not take any further part in that Tracking Test.

DISQUALIFICATION

No rating given. The dog is disqualified from all Trial Competition on the day and the Judge must provide a written report to the Canine Control within 14 days.

ELIGIBILITY

A dog must be a minimum of six (6) months of age to enter in a Tracking Trial.

TITLES

To qualify for the Tracking Titles of T.D. (Tracking Dog), T.D.X (Tracking Dog Excellent) and T.Ch (Tracking Champion) a dog must pass each of the following tests once:

Tracking Dog (T.D.)	Test 1	(Known Person)
	Test 2	(Known Person)
	Test 3	(Unknown Person)
Tracking Dog Excellent (T.D.X.)	Test 4	(Unknown Person)
	Test 5	(Unknown Person)
	Test 6	(Unknown Person)
Tracking Champion (T. Ch.)	Test 7	(Unknown Person)
	Test 8	(Unknown Person)

- (A) A maximum of two different tests, within a title, may be worked on the same day by the same dog, subject to the approval of the Canine Council and the availability of additional tracks.
- (B) Dogs must complete, in order, Test 1, through to Test 8
- (C) The dog must qualify under a minimum of two different Judges for the T.D., T.D.X. and Tracking Champion (T.Ch.) Titles to be granted.
- (D) An Exhibit, which has gained sufficient awards to qualify for a Tracking Title, shall not be eligible to compete for a higher title at a Tracking Trial until such time as the owner/s have lodged an application for recognition of the title with the Canine Control in the State or Territory in which the registered owner/s reside.
- (E) The T.D. (Tracking Dog), T.D.X. (Tracking Dog Excellent) and T.Ch (Tracking Champion) Certificates may be granted on application to the Canine Control concerned.
- (F) After qualifying for the T.Ch. (Tracking Champion) Certificate a dog is not eligible for further entry in Tracking Trials. No further qualifying Certificates can be awarded once these titles have been gained.

EQUIPMENT

- (A) All Tracking tests must be conducted with the dog in a suitable harness and a lead of a minimum length of ten (10) metres. The lead must be connected to the harness.
- (B) All articles used must be articles of clothing, must belong to the Tracklayer, must not be larger than a work sock with the exception of the optional Finish Article, must be inconspicuous in colour and acceptable to the Judge.
- (C) The Finish Article, if used in place of the Tracklayer must not be larger than a normal sized T-shirt, and folded twice. It must be inconspicuous in colour and acceptable to the Judge.
- (D) There must be a starting flag at the beginning of each track, except Test 7 and Test 8 where the starting line shall be indicated by 2 flags approximately twenty (20) metres apart.
- (E) The starting flag/s must be a minimum of thirty (30) metres from roads, fences, rivers or other permanent barriers.
- (F) The suitability of all tracking equipment shall be left to the discretion of the Judge.

- (G) No markers or equipment indicating the Track shall remain in place during the testing of a dog.
- (H) The Handler may not offer food or utilise training aids during the running of a Track and water may only be offered with the Judge's permission.

EXHIBITS

- (A) Bitches in oestrus or showing a coloured discharge of any sort shall not be permitted to compete in Trials, nor remain within the precincts of a Trial.
- (B) A dog may wear protective clothing in a Trial.
- (C) The order of judging must be decided prior to commencement of the Trial.

INSPECTION

An examination of all bitches in the Trial is necessary. A member of the Affiliate conducting the Trial may do this examination.

JUDGES

- (A) Judges must be licensed with the Canine Control in their respective State or Territory to judge Tracking Trials.
- (B) The maximum number of dogs to be judged by a Judge on any one-day will be:

10 x T.D or 7 x T.D.X. or 7 x T Ch

Note: Points are allotted for the type of tracks to be tested.

T.D. 2 points for each track (Maximum 20)
T.D.X. 3 points for each track (Maximum 21)
T.CH 3 points for each track (Maximum 21)

A combination of T.D., T.D.X. and/or T.CH Tracks must not exceed 27 points for any Judge on one day. Judges may specify on their contracts how many points they are willing to judge.

- (C) In the event of unforeseen circumstances, the Judge may, in rare cases and at his own discretion, re-judge a dog on another track.
- (D) A dog which commences a track and fails at the start shall be deemed to have trialed and the points allotted for the track for that Judge must stand, except in the case of a re-run.
- (E) The Judge must sign a Qualifying Certificate for each qualifying dog, denoting the type of track passed.
- (F) A signed copy of the Judge's Report is to be forwarded to the Secretary of the Canine Control concerned within 7days of the Trial.

TRACKLAYER

- (A) The Tracklayer shall be a person approved by the Judge.
 - (1) A known person shall be any person known to the dog and nominated by the Handler.

- (2) An unknown person shall be any person who does not qualify as a known person and whose identity must be unknown to the Handler prior to the test. The unknown person must not have previously laid a track for that dog within the preceding four (4) months, in competition.

It shall be the responsibility of the Affiliate conducting the Trial to make a genuine effort to ensure that only unknown tracklayers are used.

- (B) Before starting the Track, the Tracklayer must show the Judge all the articles to be used. These articles are to be with the Tracklayer for a minimum thirty (30) minutes prior to laying the Track so that his scent may be imparted to them.
- (C) Except for the Start Article for Test 7 and Test 8, the Tracklayer must place the articles on the Track at the places nominated by the Judge, one article to be at the commencement of each Track in addition to the other articles required. For Test 7 and Test 8, the Tracklayer will place one (1) of his scented articles in a clean sealable bag. He may place this bag in a clean, unscented, individual air-tight container supplied by the Judge or his nominee. Each airtight container may only be used once per day and must be washed or aired after each use.

The Judge will, when the track has aged sufficiently, take the Handler and Dog approximately thirty (30) metres from the starting line, open the container, if used, and the scented article is removed by the Handler, who is then free to start tracking.

- (D) All articles must be placed on the Track but not on a turn nor within a minimum of thirty (30) metres before or after a turn.
- (E) The Tracklayer will walk at a normal pace and must not scratch the ground or stop unnecessarily while laying the Track.
- (F) The Tracklayer must follow the Track, which has been marked out earlier, collecting all flags on the way with the exception of one at the start of the track.
- (G) At the end of each Track the Tracklayer;
- (1) Must make themselves as inconspicuous as possible and remain still and silent. The Tracklayer need not remain at the end of the Track, subject to the approval of the Canine control, but must be in place when the Handler completes the Track.

OR

- (2) Must place the Finish Article in the position indicated by a marker on the map so it cannot be seen by the Handler as they approach the Finish. After placing the Finish Article, the Tracklayer removes the marker and continues on for a minimum of thirty (30) metres past the Finish before leaving on the walking out route.

GENERAL

- (A) There is no time limit, provided the dog is working.
- (B) A dog that is working too fast, on instructions from the Judge, must be gently restrained by the Handler but any leading or guiding of the dog constitutes grounds for calling the dog off and marking it failed.
- Failure to obey the Judge's instruction for restraint will render the dog liable to disqualification.
- (C) To hear the Handler the Judge must remain within hearing distance at all times.

- (D) The dog must be worked at the length of leash suitable to the terrain.
- (E) The test is completed when the Tracklayer or Finish Article is found, or in the event of failure, when the Handler is redirected to the correct Track.
- (F) No person other than the Tracklayer shall be permitted within a minimum of thirty (30) metres of the Track.
- (G) The Handler must not be given any assistance by the Judge or any other person.
- (H) If a dog is not tracking it must not be marked "Pass" even though it may have found the Tracklayer.
- (I) It is desirable that the Judge be involved in the setting out of the Track.
- (J) If the Track is set out by a Steward, it is desirable that the Steward who accompanies the Judge should be the person who set out the Track.
- (K) The minimum distance of the Track to any fence or defined boundary shall be five (5) metres.
- (L) No Track shall cross a permanent body of water, such as a dam, lake or river.
- (M) The minimum distance between any parallel legs of any parts of the same or separate Tracks must be one hundred (100) metres
- (N) The minimum time lapse between the Tracks being used a second time on the same ground must be twelve hours, except in the event of an aborted Track where a Track may be used after a minimum time of six (6) hours.

NOTE: A decision as to whether a Track is classed as an aborted Track can only be made by the Judge.
- (O) The minimum time lapse between the Steward setting out the Track and the Tracklayer walking it must be six (6) hours.
- (P) At the Handler's option, the dog may be given the scent during the Track. Except for extenuating circumstances the Judge will penalise such instances accordingly and the dog that is constantly given the scent must fail.
- (Q) Handlers may speak to their dogs during the Track. The Judge may penalise if he considered such talk excessive.
- (R) Reprimands either physical or verbal will not be tolerated. Reprimands will be severely penalised up to and including disqualification. Disqualification shall be reported to the Canine Control within fourteen (14) days.
- (S) Spectators will not be permitted to approach closer than forty (40) metres to the Judge when the dog is working.
- (T) The Cross Track must not cross the Track within thirty (30) metres of a turn. The Cross Track must be at approximately 90 degrees to the Track for a distance of approximately thirty (30) metres but not less than twenty (20) metres either side of the Track and the walking in and walking out routes of the Cross Track should be approximately thirty (30) metres but not less than twenty (20) metres from the Track.

(U) **Thirty (30) Day Suspension;**

Dogs, which have failed on two consecutive occasions, may be subject to a 30-day suspension from competing at a Tracking Trial. The thirty (30) day suspension will only take effect if the Affiliate conducting the Tracking Trial has to ballot for the Tests available. Affiliates which do not have to ballot for available tests, must not invoke the thirty (30) day rule under any circumstances.

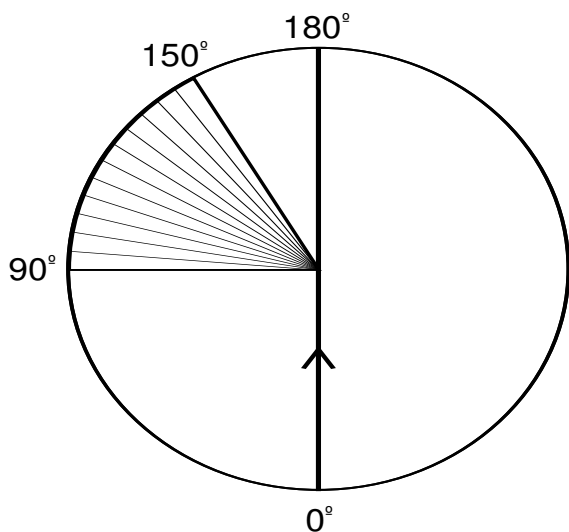
Suspensions will not be carried over a calendar year.

It is the responsibility of the Handler to advise the Affiliate of two consecutive fails. Failure to do so will result in a report to the Canine Control.

CHANGE OF DIRECTION

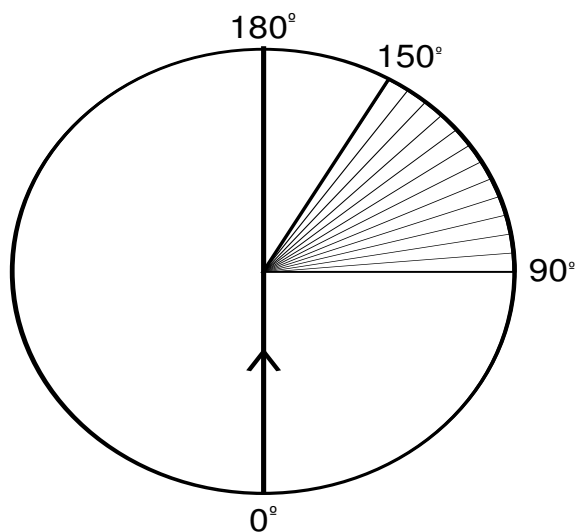
When walking in the direction of the arrow, the shaded area in the diagrams below shows the new directions of track between 90 degrees and 150 degrees from the previous leg.

Diagram 1



**Shows left changes in direction
from the previous leg**

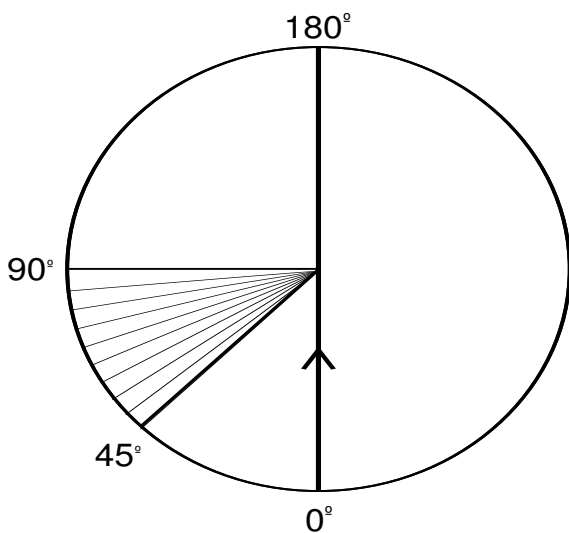
Diagram 2



**Shows right changes in direction
from the previous leg**

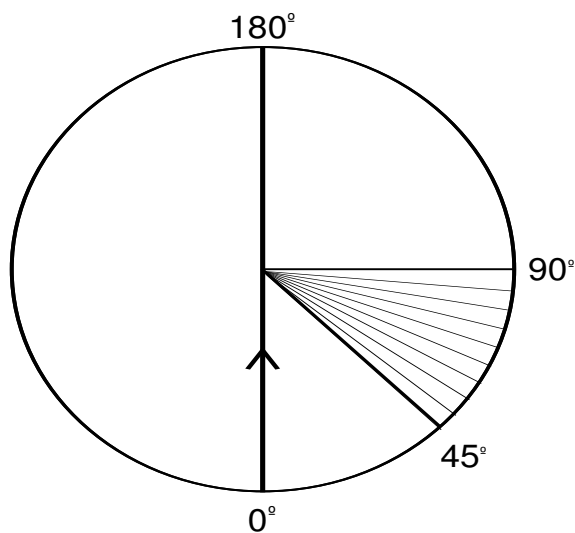
When walking in the direction of the arrow, the shaded area in the diagrams below shows the new directions of track between 45 degrees and 90 degrees from the previous leg.

Diagram 3



**Shows left changes in direction
from the previous leg**

Diagram 4



**Shows right changes in direction
from the previous leg**

GRADINGS

The following evaluation will be given for:

Pass

Pass
Good
Very Good
Excellent

Fail

A dog that fails
will be marked "Fail".

- A. A dog must be marked "fail" if it does not find or indicate the required number of articles in each test, notwithstanding that it may have found the Tracklayer or Finish Article.
- B. The dog must positively indicate the articles by either sitting, standing, downing, picking up or at least pausing (i.e. stationary) to the satisfaction of the judge to obtain a Pass.
- C. A dog that does not indicate an article on any test will receive a downgrading in their result.

NOTES FOR AFFILIATES

At Tracking Trials an area should be allotted where competitors and their dogs must remain until called by an official. Failure to comply may result in disqualification.

TRACKING DOG (T.D.)

Test 1 – Known Person

The dog is required to track a known person for approximately 400 metres, and the exhibitor shall nominate the Tracklayer.

The Track will have two changes of direction of between approximately 90 and 150 degrees, (refer diagrams 1 and 2), the first change of direction to be a minimum of 100 metres after the start.

One article will be placed on the Track, as nominated by the Judge; this article does not have to be indicated to gain a Pass.

The minimum time for the commencement of the track must be 20 minutes and the maximum 45 minutes, from the time the Track is laid.

The Tracklayer or final article must be found at the end of the Track for the dog to obtain a Pass.

Test 2 - Known Person

The dog is required to track a known person for approximately 800 metres, and the exhibitor shall nominate the Tracklayer.

The Track will have a minimum of 2 changes of direction of between approximately 90 degrees and 150 degrees (refer diagrams 1 and 2). Two articles must be placed on the Track.

The minimum time for the commencement of the Track must be 30 minutes and the maximum 60 minutes, from the time the Track is laid.

A minimum of one article must be indicated by the dog to obtain a Pass

The Tracklayer or Finish Article of the known person must be found at the end of the Track for a dog to obtain a Pass.

Test 3 - Unknown Person

The dog is required to track an unknown person for approximately 800 metres.

The Track will have a minimum of 2 changes of direction of between approximately 90 degrees and 150 degrees (refer diagrams 1 and 2). Two articles must be placed on the Track.

Time lapse for Track must be the same as Test 2.

A minimum of one article must be indicated by the dog to obtain a Pass.

The Tracklayer or Finish Article must be found at the end of the Track for a dog to obtain a Pass.

TRACKING DOG EXCELLENT (T.D.X.)

Test 4 - Unknown Person

The dog is required to track an unknown person for approximately 1,000 metres.

The Track will have a minimum of 4 changes of direction of between approximately 90 degrees and 150 degrees (refer diagrams 1 and 2). Three articles must be placed on the Track.

The minimum time lapse for the commencement of this Track must be 60 minutes and the maximum 120 minutes, from the time the Track is laid.

A minimum of two articles must be indicated by the dog to obtain a Pass.

The Tracklayer or Finish Article must be found at the end of the Track for a dog to obtain a Pass.

Test 5 - Unknown Person

This will be similar to Test. 4 except that the Track must be crossed twice by Cross Tracks and one or two unknown persons may lay these.

The Cross Track/s should be laid approximately 30 minutes after the original Tracklayer has passed.

A minimum of two articles must be indicated by the dog to obtain a Pass.

Test 6 - Unknown Person

The dog is required to track an unknown person for approximately 1,200 metres.

The Track will have a minimum of 5 changes of directions: one of these must be between 45 degrees and 90 degrees (refer diagrams 3 and 4) the other changes of directions will be between approximately 90 degrees and 150 degrees (refer diagrams 1 and 2).

The first change of direction will be in accordance with diagrams 1 or 2. Three articles must be placed on the Track.

The Track shall be crossed twice by Cross Tracks and one or two unknown persons may lay these.

The Cross Tracks must be laid approximately 30 minutes after the original Tracklayer has passed.

The minimum time lapse for the commencement of the Track must be 60 minutes and the maximum 180 minutes, from the time the Track was laid.

A minimum of two articles must be indicated by the dog to obtain a Pass.

The Tracklayer or Finish Article must be found at the end of the Track for the dog to obtain a Pass.

TRACKING CHAMPION TEST

Test 7 – Unknown person

The dog is required to track an unknown person for approximately 1,200 metres.

The Track will have a minimum of six changes of direction; two of these will be between approximately 45 degrees and 90 degrees (refer diagrams 3 and 4), all other changes of directions will be between approximately 90 degrees and 150 degrees (refer diagrams 1 and 2), the first change of direction to be no less than one hundred (100) metres from the start.

Three articles must be placed on the Track; a minimum of two articles must be indicated by the dog to obtain a Pass

The start must be a minimum of thirty (30) metres from roads, fences, rivers or other permanent barriers. There will be a small marking flag where the Tracklayer will start from to enable them to line up with the next flag on the Track. The Tracklayer will take this marker flag with them. The starting line flags will remain.

A minimum of thirty (30) metres before the starting line, the Tracklayer will place one of his scented articles in a clean sealable bag. He may place this bag in a clean, unscented, individual air-tight container supplied by the Judge or his nominee. The Judge will, when the track has aged sufficiently, take the Handler and Dog to approximately thirty (30) metres from the starting line open the container, if used, and the scented article is removed by the Handler, who is then free to start tracking.

There will be two Cross Tracks that may be laid by one or two unknown persons. Cross tracks will be laid according to the Judge's direction.

The Cross Tracks must be laid approximately 30 minutes after the original Tracklayer has passed.

The minimum time lapse for the commencement of the Track must be 90 minutes and the maximum 180 minutes, from the time the original Tracklayer crosses the starting line.

The Tracklayer or Finish Article must be found at the end of the Track for a dog to obtain a Pass.

Test 8 – Unknown person

The dog is required to track an unknown person for approximately 1,200 metres.

The Track will have a minimum of six changes of direction; two of these will be between approximately 45 degrees and 90 degrees (refer diagrams 3 and 4), all other changes of directions will be between approximately 90 degrees and 150 degrees (refer diagrams 1 and 2), the first change of direction to be no less than one hundred (100) metres from the start.

Three articles must be placed on the Track; a minimum of two articles must be indicated by the dog to obtain a Pass

The start must be a minimum of thirty (30) metres from roads, fences, rivers or other permanent barriers. There will be a small marking flag where the Tracklayer will start from to enable them to line up with the next flag on the Track. The Tracklayer will take this marker flag with them. The starting line flags will remain.

A minimum of thirty (30) metres before the starting line, the Tracklayer will place one of his scented articles in a clean sealable bag. He may place this bag in a clean, unscented, individual air-tight container supplied by the Judge or his nominee. The Judge will, when the track has aged sufficiently, take the Handler and Dog to approximately thirty (30) metres from the starting line open the container, if used, and the scented article is removed by the Handler, who is then free to start tracking.

There will be two Cross Tracks that may be laid by one or two unknown persons. Cross tracks will be laid according to the Judge's direction.

The Cross Tracks must be laid approximately 30 minutes after the original Tracklayer has passed.

The minimum time lapse for the commencement of the Track must be 90 minutes and the maximum 180 minutes, from the time the original Tracklayer crosses the starting line.

The Tracklayer or Finish Article must be found at the end of the Track for a dog to obtain a Pass.